



neelnox

LET
THERE
BE **DESIGN.**

FEATURES

- Premium 304 Grade Stainless Steel
- Solid Mount Construction
- Concealed Installation Hardware
- Solid End Cap provided for side opposite to the door for a seamless look



Small Rosette
(Dia 1 1/8")



Medium Rosette
(Dia 1 1/4")



Large Rosette
(Dia 1 1/2")



Double Door Handle
shown with a
small Rosette

COLLECTION FORM MODERNE

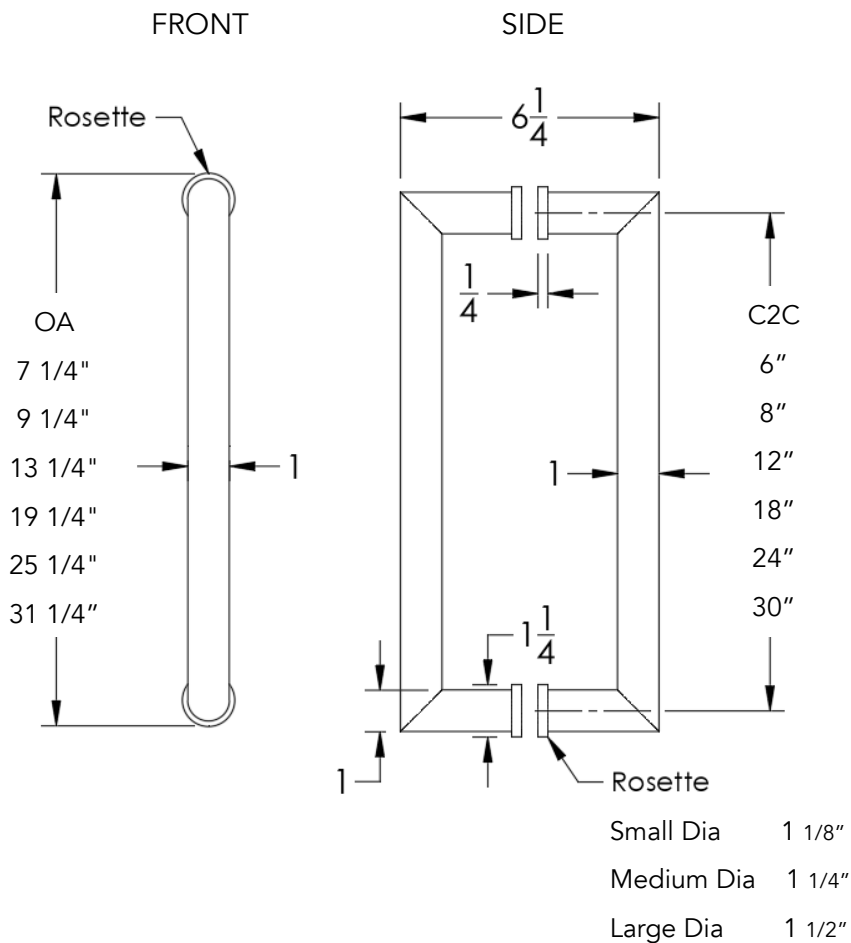
DOUBLE DOOR HANDLE

| Model | Product | Finishes Available |
|---------------|--------------------|---|
| FMD-DSD-XX-XX | Double Door Handle | Multiple finishes available. Over 23 finishes to choose from. |

FINISHES

| | | |
|--------------------------|--------------------------------|---------------------------|
| Polished (-P) | Antique Copper (-ACOP) | Polished Gold (-PGLD) |
| Brushed (-B) | Polished Brass (-PBRS) | Brushed Copper (-BCOP) |
| Brushed Gold (-BGLD) | Matte White (-WHT) | Brushed Rose Gold (-BRGD) |
| Matte Black (-BLK) | Brushed Modern Bronze (-BMBRZ) | Brushed Black (-BRBLK) |
| Oil Rubbed Bronze (-ORB) | Glossy White (-GWHT) | Polished Black (-PBLK) |
| Brushed Brass (-BBRS) | Polished Rose Gold (-PRGD) | Antique Nickel (-ANKL) |
| Brushed Bronze (-BBRZ) | Unlacquered Brass (-UBRS) | Black Nickel (-NKBL) |
| Antique Brass (-ABRS) | Polished Nickel (-PNKL) | |

| OA | C2C | Small Rosette | Medium Rosette | Large Rosette |
|---------|-----|---------------|----------------|---------------|
| 7 1/4" | 6" | FMD-DSD6-SR | FMD-DSD6-MR | FMD-DSD6-LR |
| 9 1/4" | 8" | FMD-DSD8-SR | FMD-DSD8-MR | FMD-DSD8-LR |
| 13 1/4" | 12" | FMD-DSD12-SR | FMD-DSD12-MR | FMD-DSD12-LR |
| 19 1/4" | 18" | FMD-DSD18-SR | FMD-DSD18-MR | FMD-DSD18-LR |
| 25 1/4" | 24" | FMD-DSD24-SR | FMD-DSD24-MR | FMD-DSD24-LR |
| 31 1/4" | 30" | FMD-DSD30-SR | FMD-DSD30-MR | FMD-DSD30-LR |



Installation Notes: Center to center hole drilling dimension are same as mentioned in column. Diameter of glass hole for installation is 1/2".

Standard hardware supplied can accommodate glass thicknesses 1/4" to 1/2". Please contact us for custom hardware in case glass thickness exceeds 1/2".



Dimensions in inches

NOTE: Dimensions subject to change without notice.